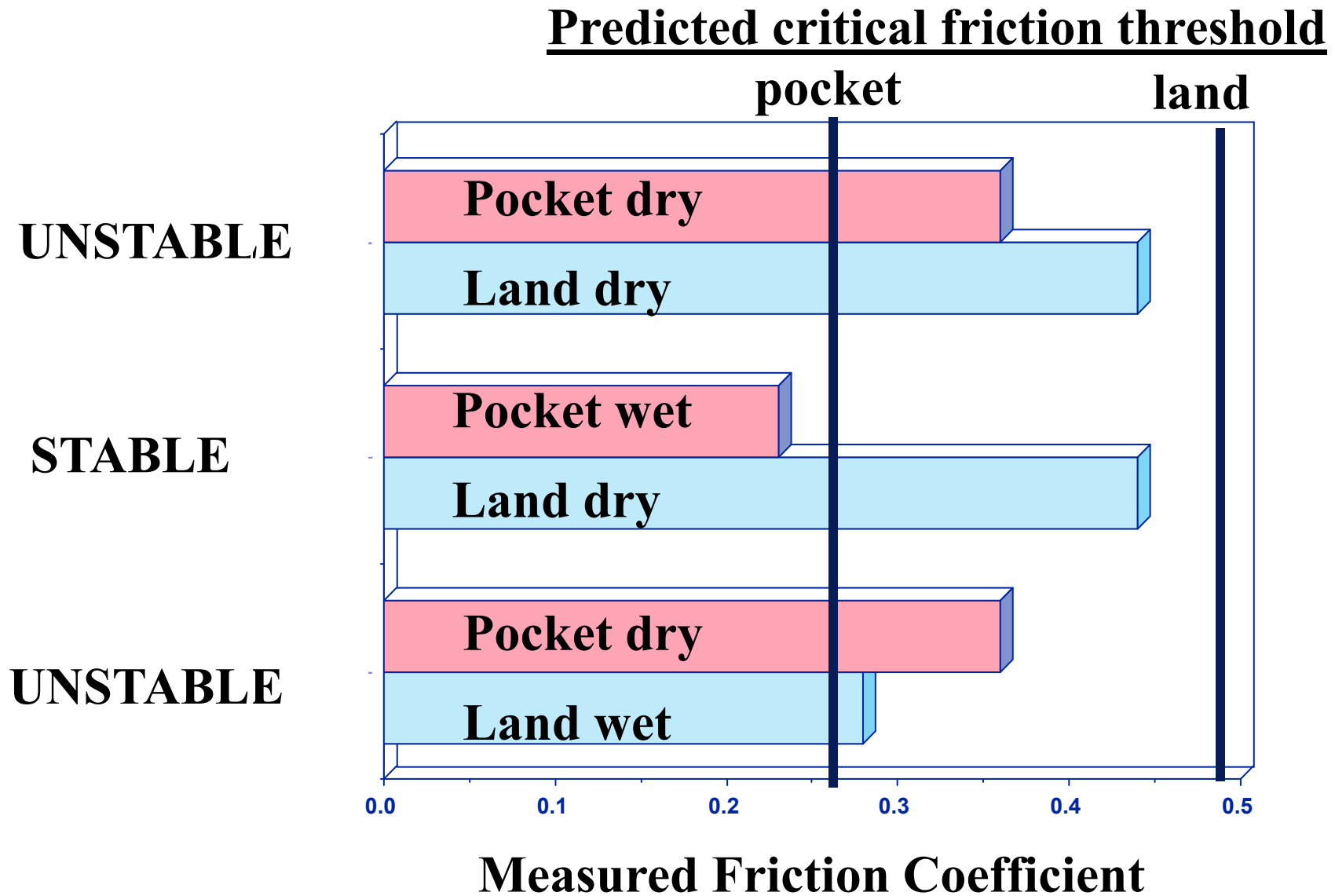
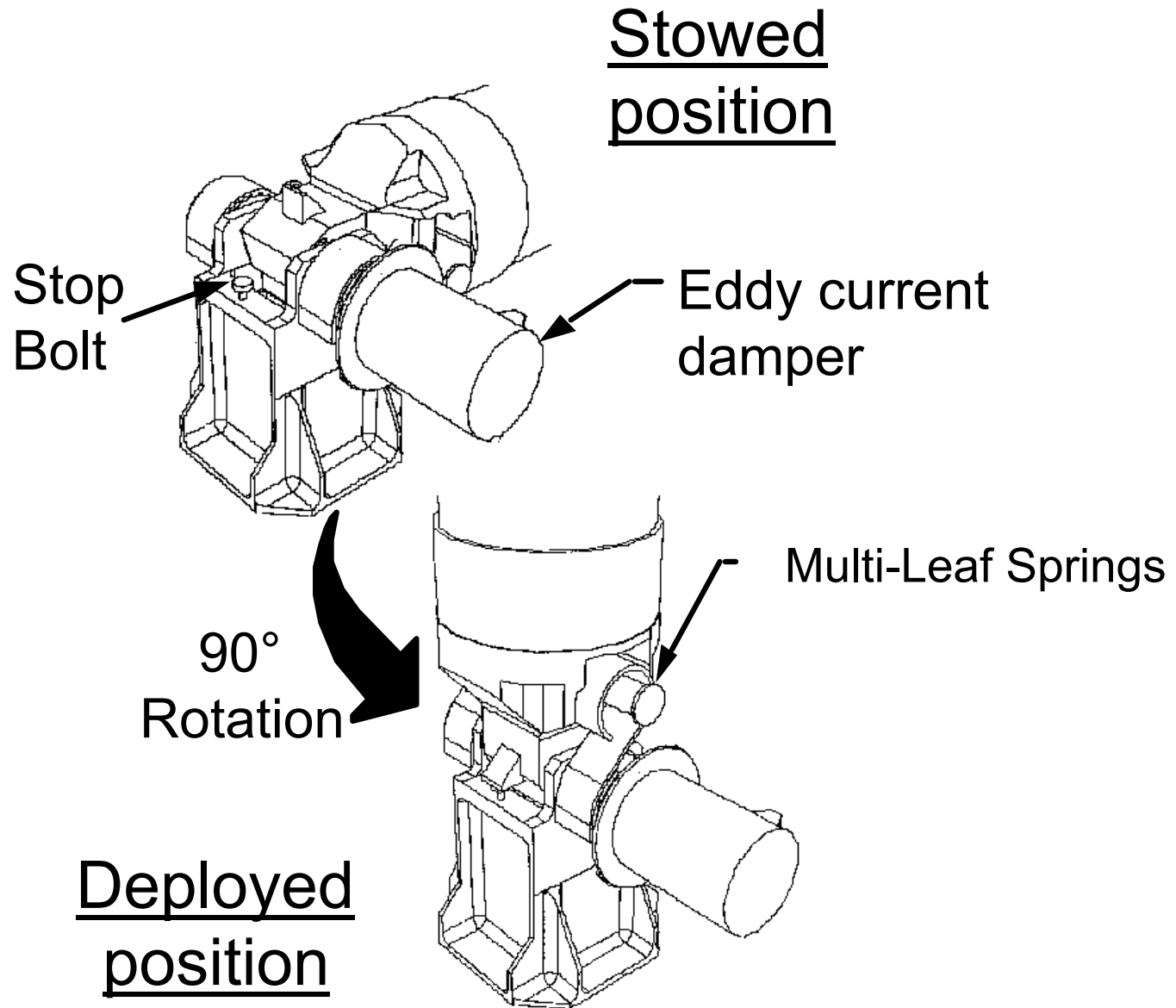


Critical Retainer Surface



Hinge

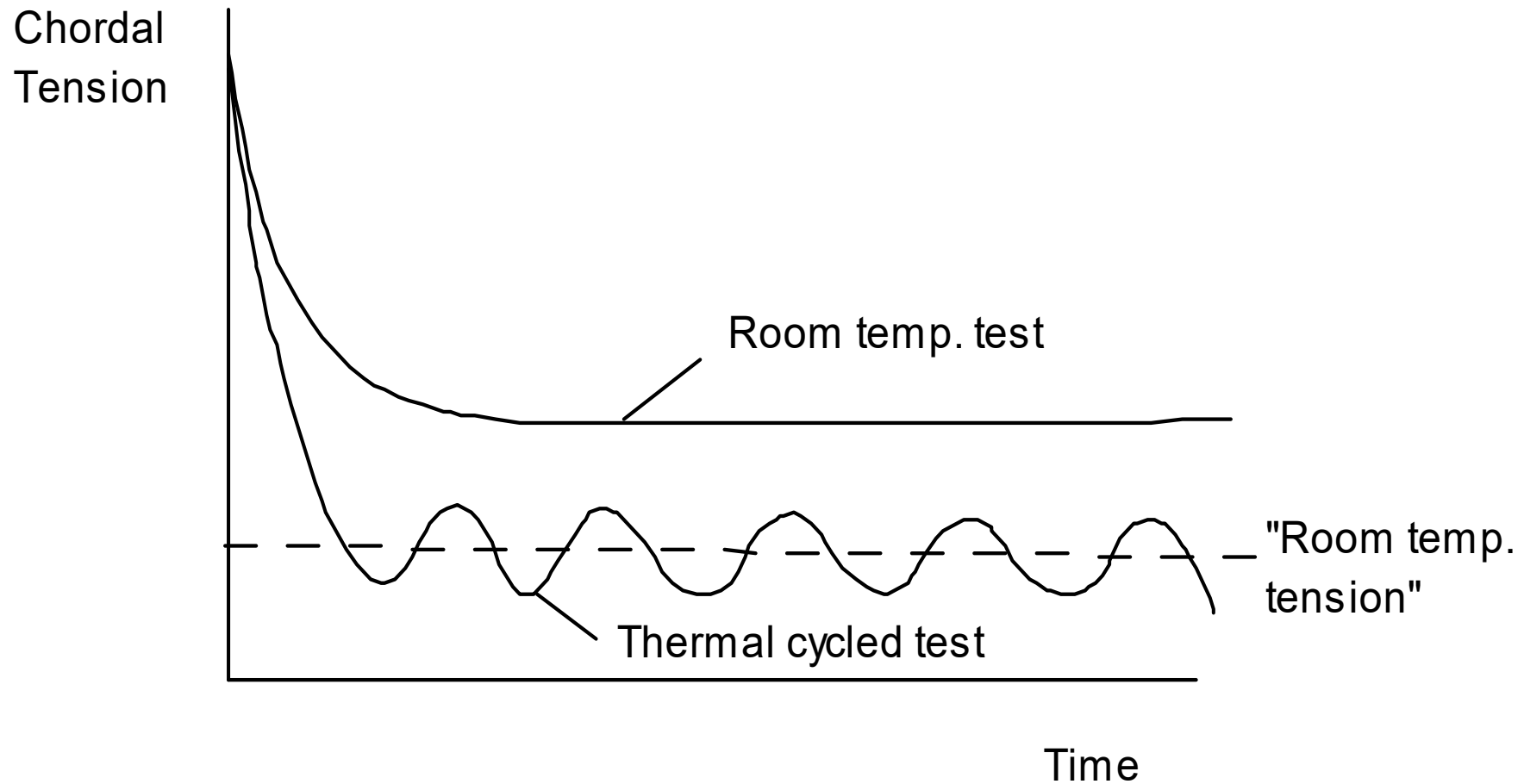


Lessons Learned

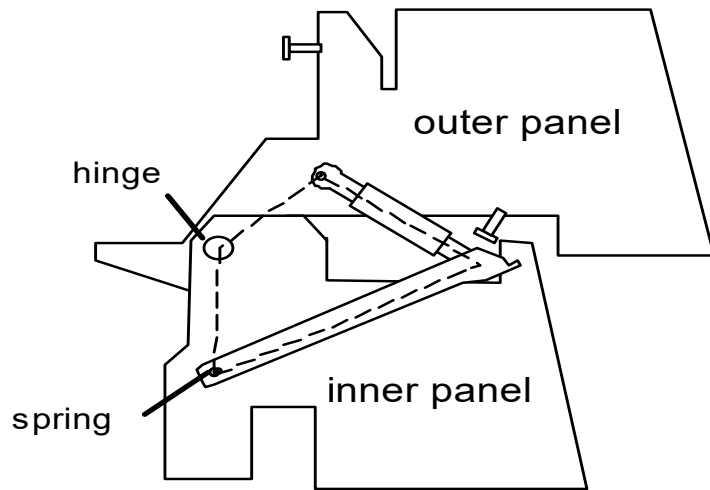
- **Consider instability with a continuously spinning bearing**
- **Optimized cage increased friction margin by 50%, and this was predicted**
- **Computer codes are resource intensive**
 - **Useful for screening candidate designs for test**

Temperature Cycling

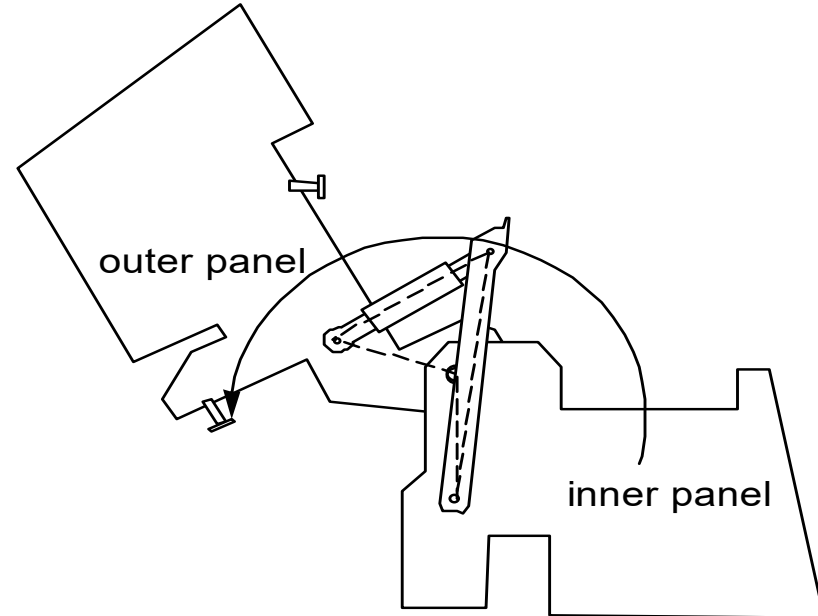
- Mesh "relaxes" to a lower value when temperature cycled versus left at room temperature



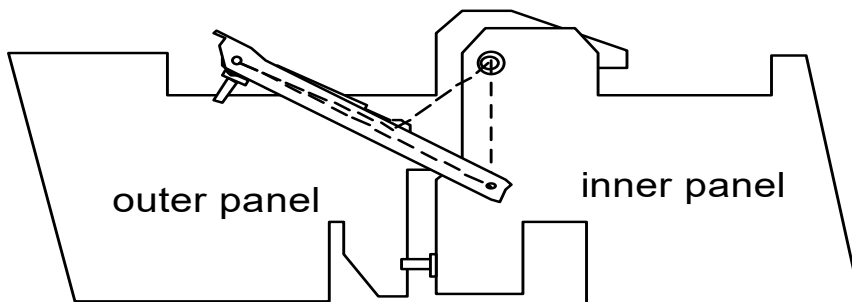
Four-Bar Linkage



Stowed Position



Deployment Motion



Deployed Position